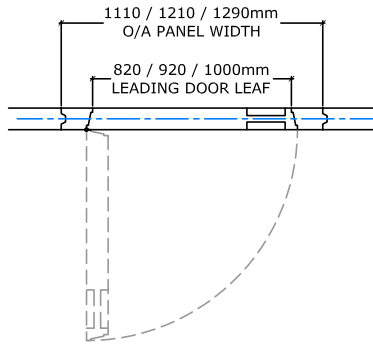
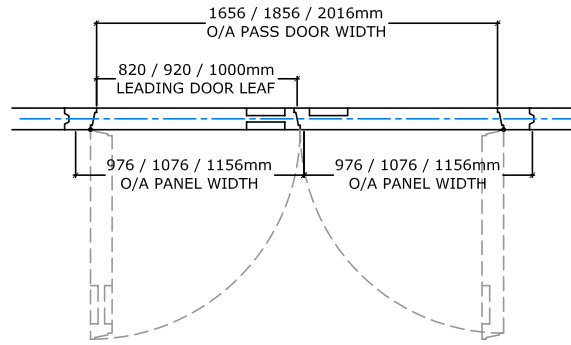


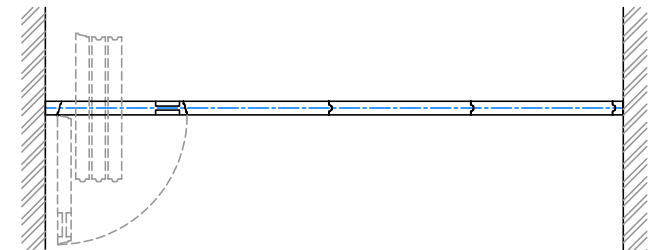
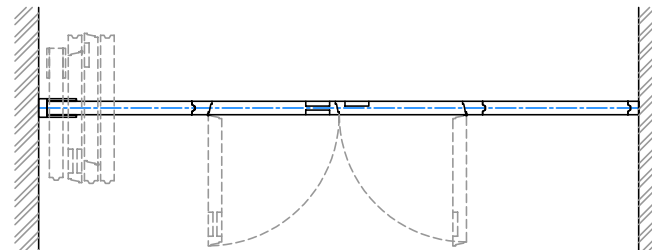
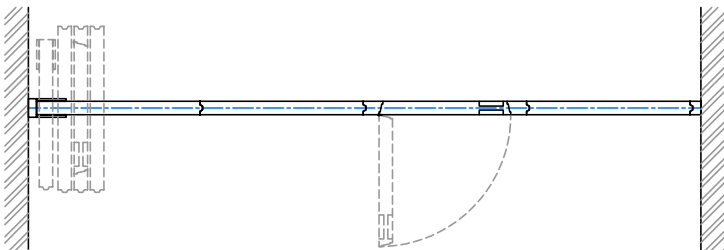
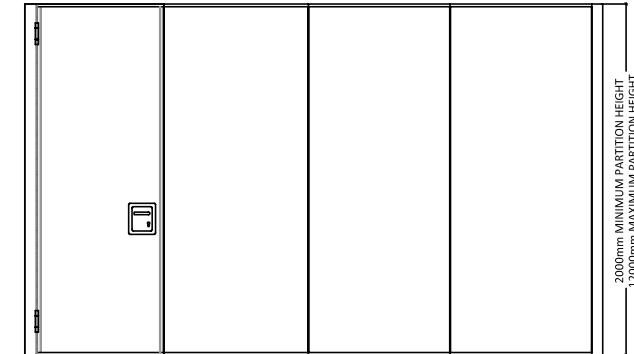
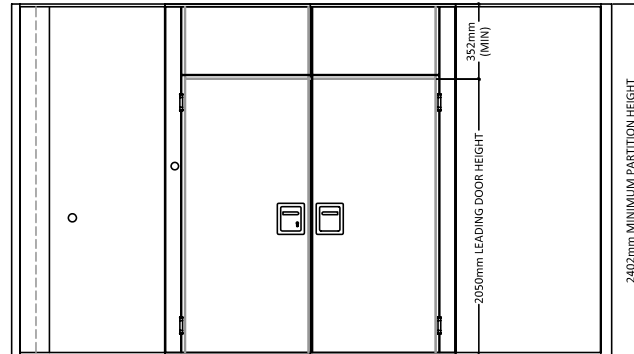
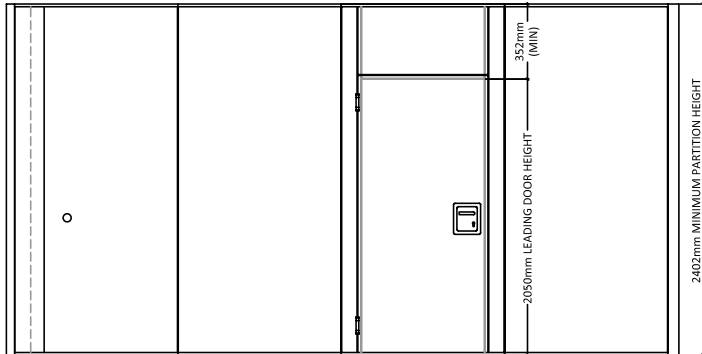
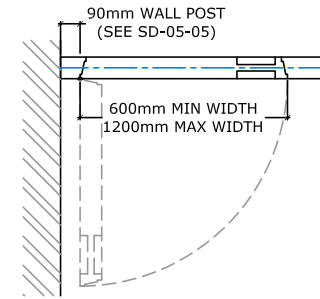
SINGLE PASS DOOR ELEMENT (DT)
(SEE SD-04-03 FOR FURTHER DETAILS)



DOUBLE PASS DOOR ELEMENT (DTZ)
(SEE SD-04-04 FOR FURTHER DETAILS)



FIXED FULL-HEIGHT HINGED PASS DOOR (FT)
(SEE SD-04-05 FOR FURTHER DETAILS)



PLEASE NOTE:
PASSDOOR HANDINGS SHOWN ARE INDICATIVE - OTHER OPTIONS/ARRANGEMENTS ARE AVAILABLE.

- ASSOCIATED DRAWINGS:**
1. PLEASE SEE OTHER SD-05 SERIES DRAWINGS FOR FULL VARIFLEX DETAILS
 2. PLEASE SEE DRAWING SD-05-10 FOR DIFFERENT PANEL PROFILES - JOINT PROFILE VARIES ACCORDING TO ACOUSTIC RATING
 3. PLEASE SEE SD-01 & SD-02 SERIES OF DRAWINGS FOR DIFFERENT TRACK AND FIXING DETAILS - VARIOUS SUSPENSION OPTIONS ARE AVAILABLE
 4. PLEASE SEE SD-05-08 & 09 FOR VP/GLAZING DETAILS - VARIOUS OPTIONS ARE AVAILABLE

PLEASE SEE OUR WEBSITE FOR FURTHER DETAILS - www.style-partitions.co.uk

TITLE: VARIFLEX DETAILS - ACCESS DOOR OPTIONS/DETAILS

DWG No: STY-SD-05-11

DATE: 07.02.2012

REV: -

style
moveable partition specialists