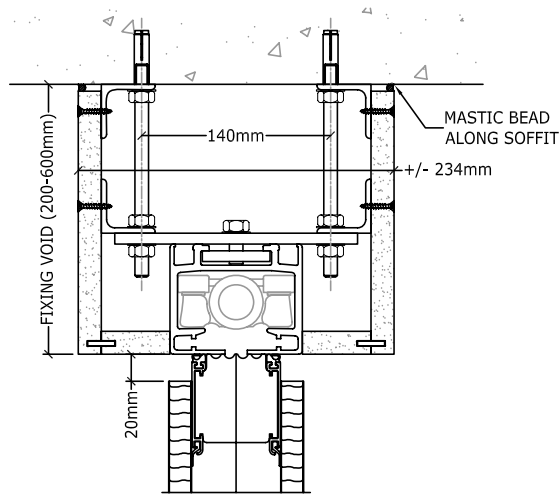


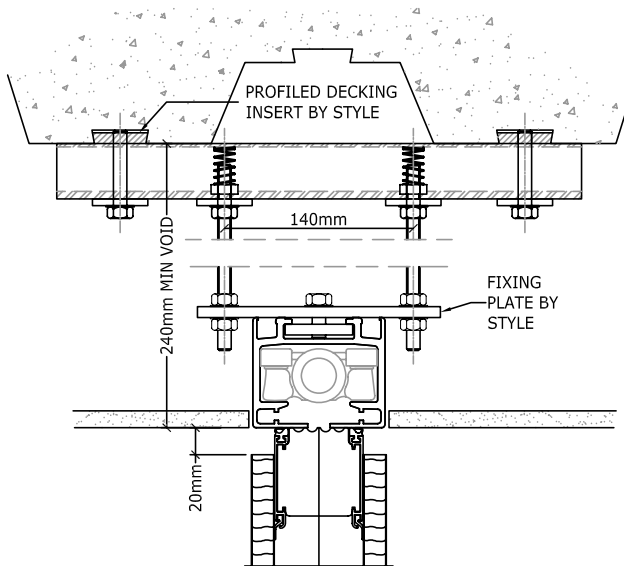
DETAIL-FC1

- FITTED DIRECTLY TO SOFFIT
- 600mm-1200mm REQUIRES BRACING
- SUGGESTED SP DOWNSTAND (LEFT OF TRACK)



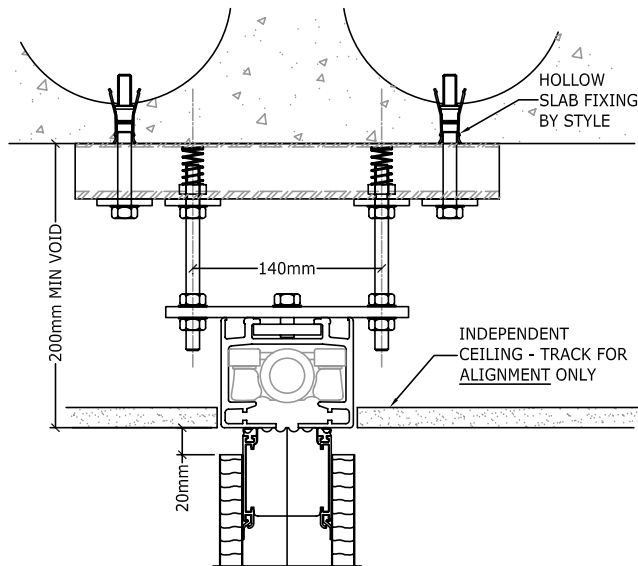
DETAIL-FC2

- DIRECTLY FIXED TO SOFFIT



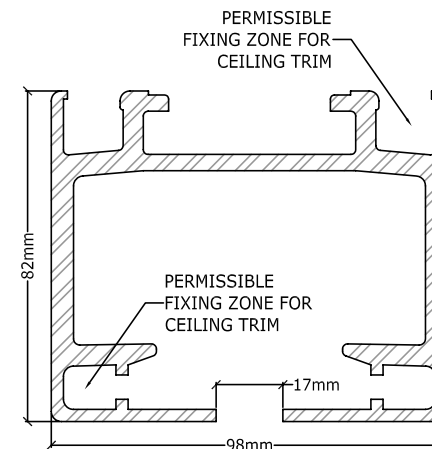
DETAIL-FC3

- FIXING PLATE SUSPENDED FROM CHANNEL
- BRIDGE FIXING ACROSS PROFILED SOFFIT
- CHANNEL FIXED WITH ANCHOR/INSERT



DETAIL-FC4

- FIXING PLATE SUSPENDED FROM CHANNEL
- CHANNEL BRIDGES HOLLOW SOFFIT
- SPECIFIC HOLLOW SLAB INSERTS USED



TYPE-R HEAD TRACK

NOTES:

1. FLUSH TRACK ONLY POSSIBLE WITH 2-POINT SUSPENSION SYSTEMS (20mm DOWNSTAND FOR SP)
2. PLEASE REFER TO DRAWING STY-SD-03 FOR VARIOUS ACOUSTIC BARRIER DETAILS
3. OTHER SOLUTIONS ARE AVAILABLE - PLEASE CONTACT STYLE FOR DETAILS

PLEASE SEE OUR WEBSITE FOR FURTHER DETAILS - www.style-partitions.co.uk

TITLE: COMMON FIXING DETAILS (CONCRETE) - R-TRACK

DWG No: STY-SD-02-01

DATE: 07.02.2012

REV: -

style
moveable partition specialists